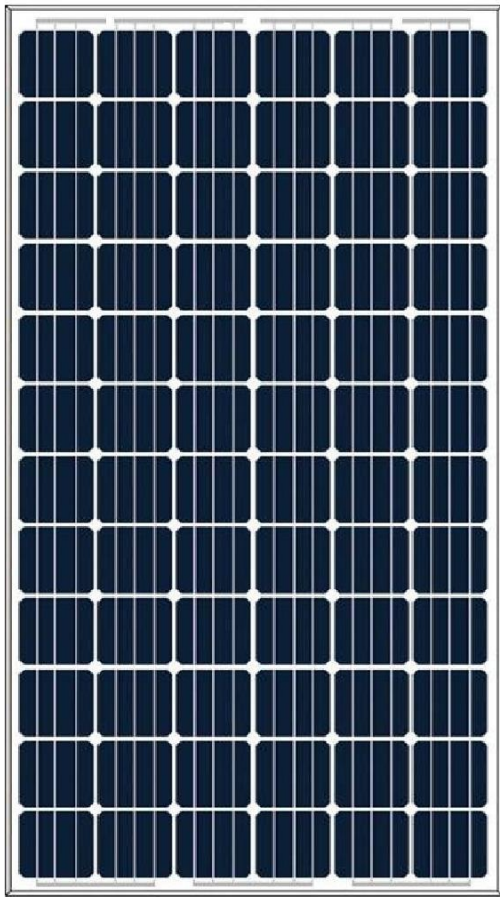


LN280(36)M-3-xxx (295-315W mono)



Secured Premium Quality:



Quality & Long Lifetime: 10 year product guarantee of materials and workmanship of Linuo Modules.



Warranty: Linuo offers linear power guarantee over 25 years for all modules.



Insurance: all guarantee items are covered by 25 year non-cancellable insurance for quality and performance--soal safe.



Power Output: Linuo Modules are 100% plus tolerance by up to 5W.



Quality Control: More than 100 control points and test processes and 3 times 100% EL test.



TUV-Certificate: Linuo Modules fully match with DIN IEC 61215 und 61730 certification requirements.



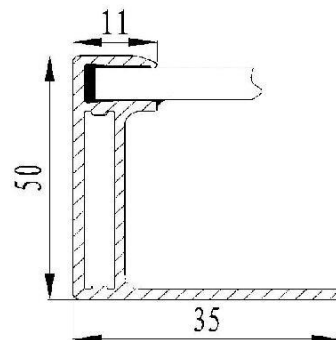
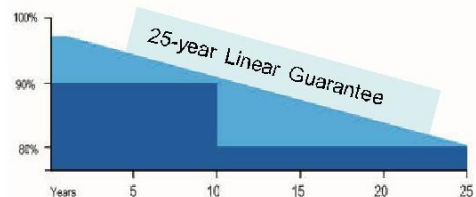
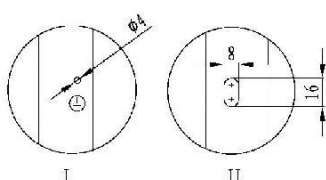
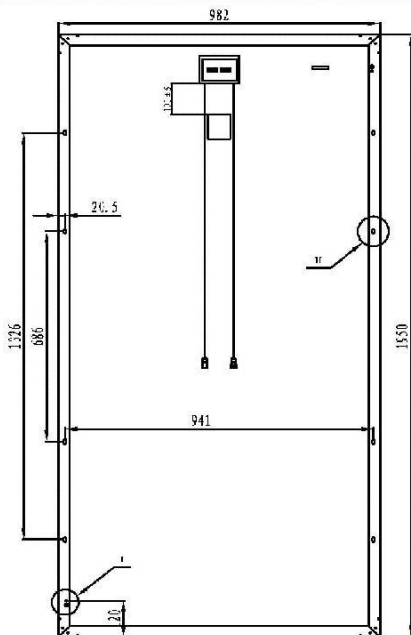
Duribility: Linuo Modules fully match with DIN IEC requirements on resistance against ammonia & salt mist corrosion.



Superior Performance: High performance and power output in low solar irradiation.



Stability: 5400 Pa Snow Load and 2400 Pa Wind Load fully matching with DIN IEC 61215 requirements.



Power Output: Coating film on glass surface enable modules self cleaning function



Assurance: Germany partner, Germany law with Local Court.



Top-Ranking in STS Long-term Test - Linuo Module can fulfill all international standards.



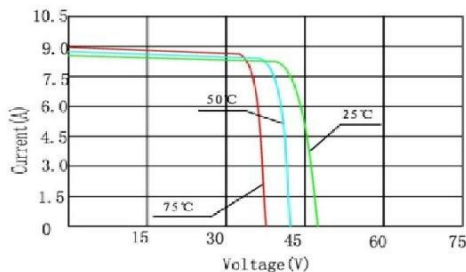
Electrical Data

LN280(36)M-3-xxx (295-315W mono)

Pmax (W)	Uoc (V)	Isc (A)	Umpp (V)	Impp (A)	FF	Module Efficiency	Max System Voltage	Max Series Fuse
295	45.67	8.77	36.16	8.16	73.67%	15.41%	1000V	15A
300	45.82	8.81	36.5	8.22	74.33%	15.67%	1000V	15A
305	45.97	8.85	36.84	8.28	74.98%	15.93%	1000V	15A
310	46.15	8.87	37.22	8.33	75.74%	16.19%	1000V	15A
315	46.3	8.92	37.55	8.39	76.28%	16.45%	1000V	15A

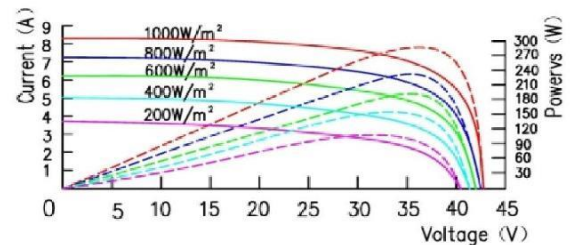
Temperature coefficient

Temperature Cycling Range	-40°C to +85°C
Nominal Operating Cell Temperature	48 °C
Temperature Coefficient of Isc:	0.063%/°C
Temperature Coefficient of Voc	-0.431%/°C
Temperature Coefficient of Pmax	-0.357%/°C



Mechanical Data

Module Dimension:	1950*982*50mm
Weight:	23.5kg
Mechanical Load:	5400 pa
Number of Cells:	72 pcs
Thickness of Glass:	4.0mm



Guarantee

10-year product warranty (manufacturer guarantee)

For the general terms of 10-year product warranty on materials and workmanship of modules will be effective from the date of current contract.

25-year Power Output Warranty (Linear Guarantee)

In the first year of the warranty, the peak power of poly-crystalline module should be no less than 97.5% of the rated power (Pmax.) and 96.5% for mono-crystalline module. At the end of the 25th Year power of both types modules should be at least 80% of rated power. The annual decline in performance is 0.729% maximum for poly-crystalline modules and 0.68% for mono-crystalline modules.

STC (Standard Test Conditions): Irradiance 1000 W/m². Spectrum AM 1.5. Cell Temperature: 25 °C. NOCT(Nominal Operating Cell Temperature): Irradiance 800 W/m². Spectrum: AM 1.5. Environment Temperature: 20°C. Rated Operating Temperature: 48.2°C. Dimension: + / - 3 mm. Measurement Tolerances: + / - 3.5%. Data Tolerance: + / - 10% (except rated power). Technical Changes Reserved. All information without guarantee. Status: 12/2012. Please note that the output of black modules (All Black Type) can be reduced by up to 5% (per 1 °C increased of module temperature, the output drops by 0.5%). Please provide good ventilation condition.

